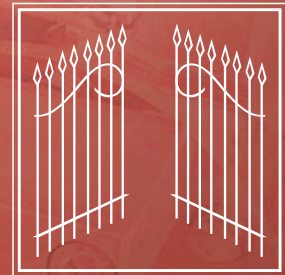
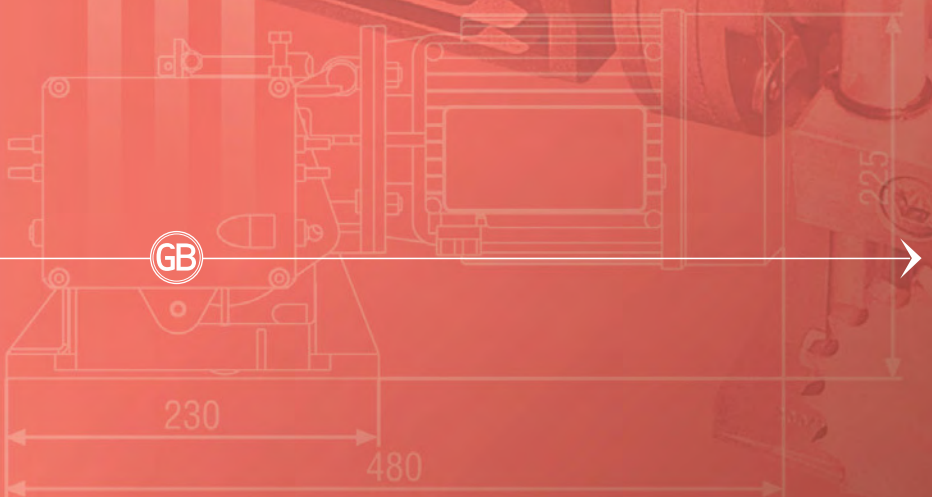
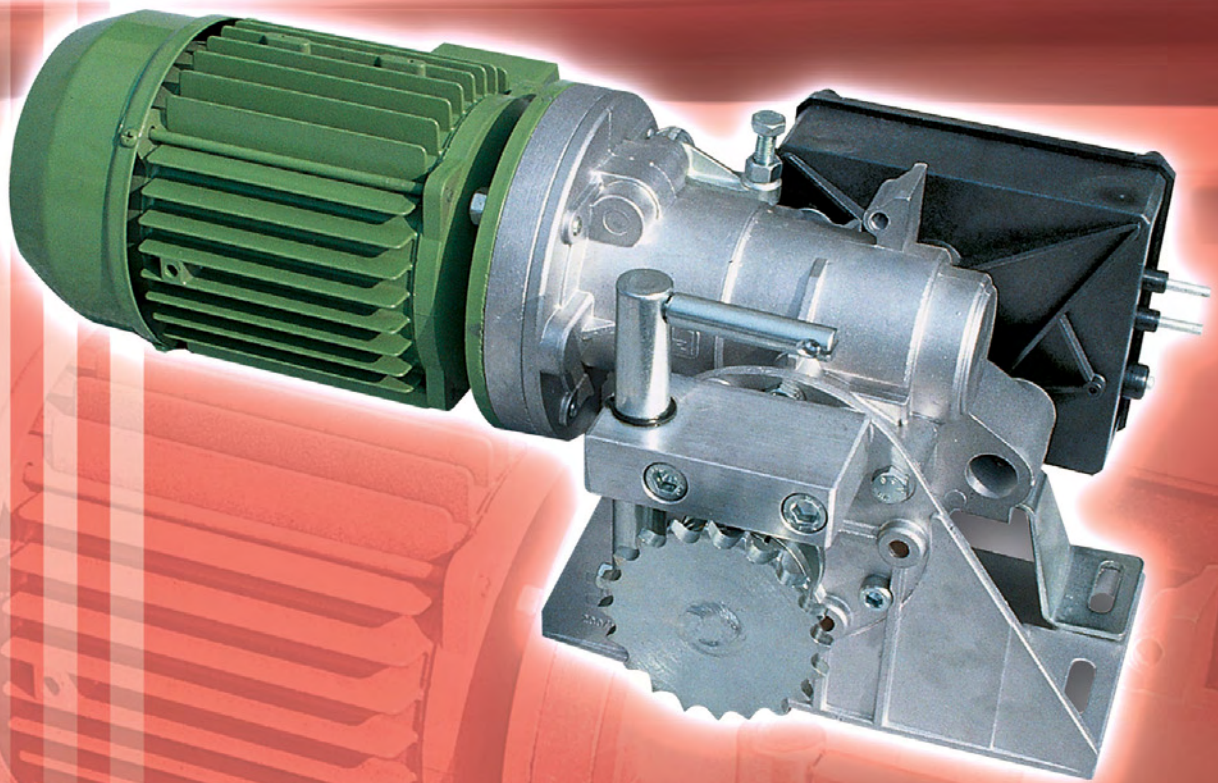


MEC

200_{LB}

- Electro-mechanical chain pulled gate operator
- For industrial folding gates, sectional and sliding doors
- Drive gears and worm gear coupling in oil bath
- Gear coupling mounted on bearings



FADINI[®]
the gate opener

MEC 200_{LB}

Electro-mechanical operator for chain-pulled sliding doors

Mec 200 LB is an electro-mechanical operator for chain pulled doors and gates. It can be installed on industrial sliding gates, folding gates and sectional vertical doors. It is a product conceived for automations that need sturdy and heavy working operators, mainly designed to meet the industrial application.

The materials employed in the manufacture of Mec 200 LB are of the best quality and they grant high resistance to heavy loads and frequent opening/closing cycles.

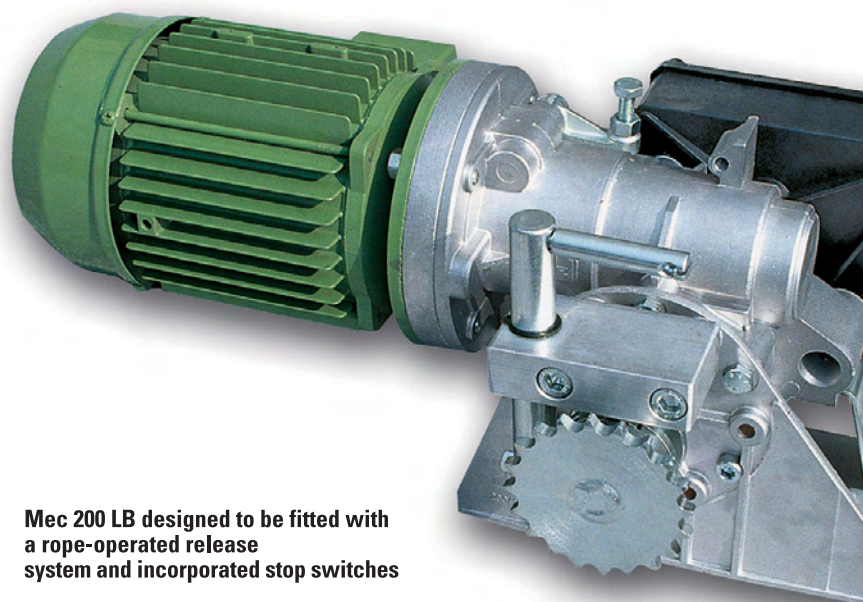
All the gears inside the aluminium body are supported by bearings and the internal worm (steel) and gear (bronze) coupling is in oil bath, so that reliability and high performance are granted.

The automation is supplied with an adjustable chain stretcher which can be easily installed on the wall.

Mec 200 LB is available in the versions with three phase or single phase motors 0.5 and 1.0 HP rating.

The oil bathed mechanical clutch allows to control the driving force on the gate/door. Mec 200 LB is designed to incorporate stop switches on request and is completed with a rope-operated release system; a lever device, fitted with a security key to access to it, allows manual operation from a distance.

Mec 200 LB is also supplied with any necessary installation accessory.

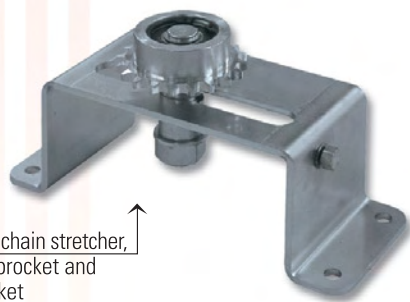


Mec 200 LB designed to be fitted with a rope-operated release system and incorporated stop switches

- Ⓐ Mec 200 LB installed on a sliding door
- Ⓑ Mec 200 LB installed on a sectional door



Detail of release handle with security key access



Adjustable chain stretcher, 1/2" Z20 sprocket and fixing bracket



Ⓐ



Ⓑ

MEC 200 LB GATE OPERATOR

Accessories



ELPRO 10 CEI control box	MIRI 4 flashing light with Birio A8 aerial	PRIT 19 keyswitch	PULIN 3 pushbutton switch	ASTRO 43 transmitter	TRIFO 11 photocells	ASTRO 43 stand alone radio receiver
------------------------------------	---	-----------------------------	-------------------------------------	--------------------------------	-------------------------------	--

Technical specifications

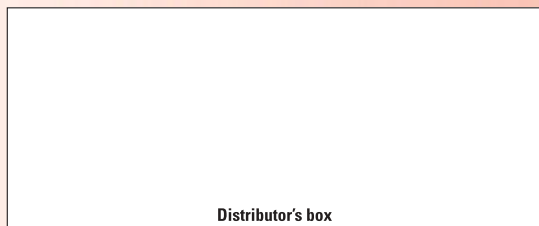
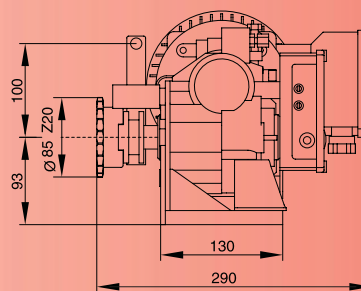
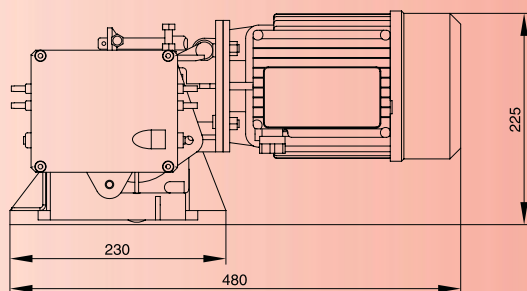
ELECTRIC MOTOR

	Single-phase	Three-phase	Single-phase	Three-phase
Power output.....	0.37 KW (0.5 HP)	0.37 KW (0.5 HP)	0.73 KW (1 HP)	0.73 KW (1 HP)
Supply voltage / Frequency.....	230 V / 50 Hz	230-400 V / 50 Hz	230 V / 50 Hz	230-400 V / 50 Hz
Absorbed power.....	510 W	575 W	1'130 W	1'030 W
Absorbed current.....	2.4 A	2.1-1.2 A	5.7 A	3.7-2.2 A
Motor rotation speed.....	1'380 rpm/1'	1'380 rpm/1'	1'380 rpm/1'	1'380 rpm/1'
Capacitor.....	20 µF		30 µF	
Intermittent service.....	S 3	S 3	S 3	S 3

GEAR BOX

	Single-phase	Three-phase	Single-phase	Three-phase
Max torque.....	40 Nm	40 Nm	80 Nm	80 Nm
Gear ratio.....	1:32	1:32	1:32	1:32
Travelling speed.....	9.6 m/1'	9.6 m/1'	9.6 m/1'	9.6 m/1'
Oil temperature.....	-20°C +80°C	-20°C +80°C	-20°C +80°C	-20°C +80°C
Oil type.....	Agip Rotra THT - W 80 - 0.22 Kg	Agip Rotra THT - W 80 - 0.22 Kg	Agip Rotra THT - W 80 - 0.22 Kg	Agip Rotra THT - W 80 - 0.22 Kg
IP Standard.....	IP 557	IP 557	IP 557	IP 557
Weight MEC 200 LB.....	19 Kg	18 Kg	23 Kg	21 Kg

Duty cycle25 s Opening - 30 s Dwell - 25 s Closing
 Time of one complete cycle.....80 s
 Complete cycles per hour Opening-Dwell-Closing.....45/hour
 Complete cycles a year (8 hours a day)131'000 cycles



Distributor's box

The manufacturers reserve the right to change the products without any previous notice



EUROPEAN MARK CERTIFYING
 CONFORMITY TO THE
 ESSENTIAL REQUIREMENTS OF
 THE STANDARDS 98/37/EC

- DECLARATION OF CONFORMITY
- GENERAL WARNINGS
- EN 12453, EN 12445 STANDARDS
- CEI EN 60204-1 STANDARDS
- WARRANTY CERTIFICATE ON THE CUSTOMER'S REQUEST



AUTOMATIC GATE MANUFACTURERS

The "CE" mark certifies that the operator conforms to the essential requirements of the European Directive art. 10 EEC 73/23, in relation to the manufacturer's declaration for the supplied items, in compliance with the body of the regulations ISO 9000=UNI EN 29000. Automation in conformity to EN 12453, EN 12445 safety standard.
 The growth of MECCANICA FADINI has always been based on the development of guaranteed products thanks to our "TOTAL QUALITY CONTROL" system which ensures constant quality standards, updated knowledge of the European Standards and compliance with their requirements, in view of an ever increasing process of improvement.