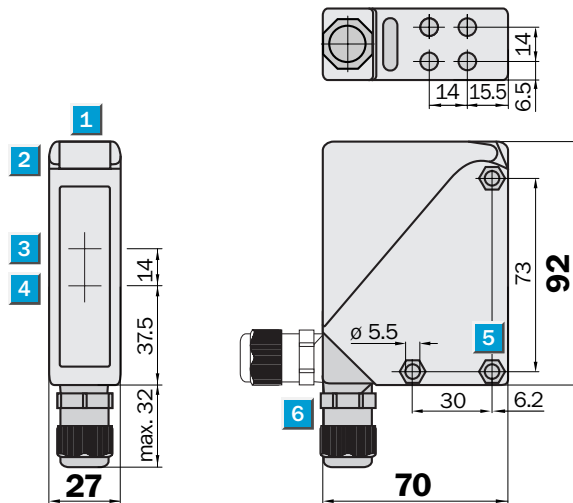


Scanning range
22 m

Photoelectric Reflex Switch

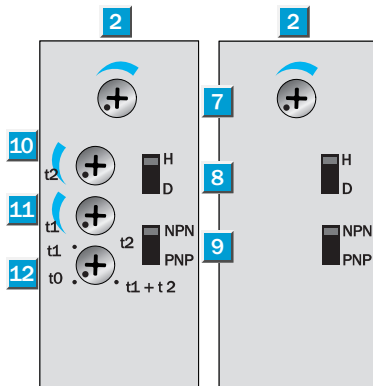
- Sturdy plastic housing
- High operating reserve in visible red light
- M 16 screw fixing or equipment plug rotatable by 90°
- Selectable time delay, optional

Dimension illustration



Setting options

WL 34-B 440	WL 34-B 430
WL 34-V 240	WL 34-V 230
WL 34-V 540	WL 34-V 530

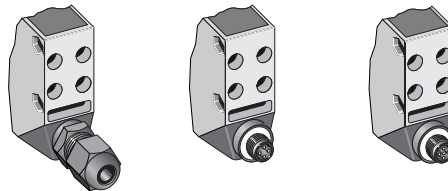


- Alignment sight
- LED signal strength indicator
- Middle of optic axis, sender
- Middle of optic axis, receiver
- Mounting hole \varnothing 5.5 mm, for M 5 hexagon nuts on both sides
- M 16 screw fixing or plug rotatable by 90°
- Sensitivity control
- Light/dark selector
- NPN/PNP selector
- Time control t_2 = OFF-delay
- Time control t_1 = ON-delay
- Time delay switch



Connection type

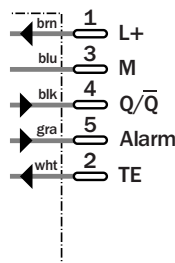
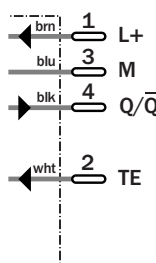
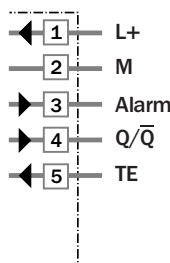
WL 34-V 230	WL 34-B 430	WL 34-V 530
WL 34-V 240	WL 34-B 440	WL 34-V 540



M 16, terminals

4 pin, M 12

5 pin, M 12



Accessories

- Connectors
- Mounting systems
- Reflectors

Special accessories

- Weather hoods



Technical data		WL 34-	V 230	V 240	B 430	B 440	V 530	V 540				
Scanning range, typ. max./on reflector	22 m/on PL 80 A											
Sensitivity	Adjustable											
Light source ¹⁾ , light type	LED; red light											
Light spot diameter	Approx. 250 mm at a distance of 15 m											
Supply voltage V_S	10 to 30 V DC ²⁾											
Ripple ³⁾	$< 5 V_{PP}$											
Current consumption ⁴⁾	≤ 50 mA											
Switching outputs	PNP or NPN, Q or \bar{Q}											
Output current I_A max.	100 mA											
Response time ⁵⁾	$\leq 500 \mu s$											
Max. switching frequency ⁶⁾	1000/s											
VMA contamination signaling output	Alarm, PNP											
Time delay	Adjustable, 0.5 to 10 s											
Test input »TE«	Sender switched off											
Sender off	PNP or NPN: TE to 0 V											
Connection type	M 16 screw fixing											
	Plug											
VDE protection class ⁷⁾	\square											
Circuit protection ⁸⁾	A, B, C											
Enclosure rating	IP 67											
Ambient temperature	Operation -40 °C to $+60$ °C Storage -40 °C to $+75$ °C											
Weight	Approx. 140 g											
Polarizing filter												
Housing material	ABS											

¹⁾ Average service life 100,000 h at $T_A = +25$ °C

²⁾ Limit values

³⁾ May not exceed or fall short of V_S tolerances

⁴⁾ Without load

⁵⁾ Signal flight time with ohmic load

⁶⁾ With light/dark ratio 1:1

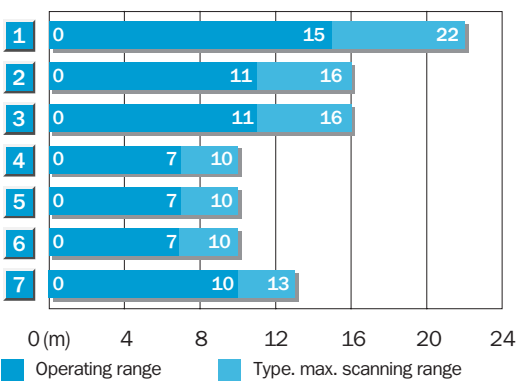
⁷⁾ Withstand voltage 50 V DC

⁸⁾ A = V_S connections reverse-polarity protected

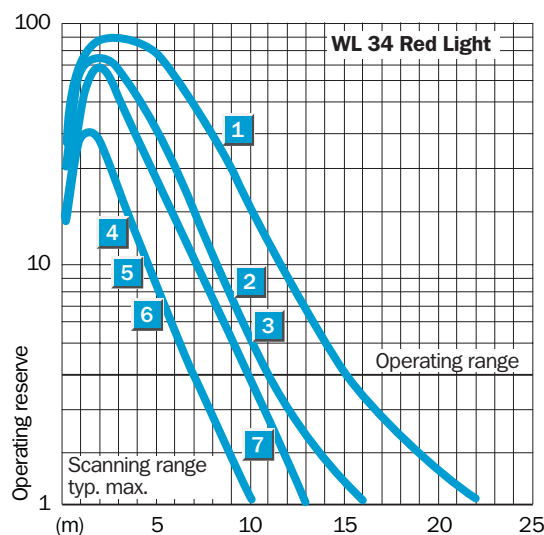
B = Outputs Q and \bar{Q} short-circuit protected

C = Interference pulse suppression

Scanning range and operating reserve



Reflector type	Operating range
1 PL 80 A	0 to 15 m
2 PL 50 A	0 to 11 m
3 PL 40 A	0 to 11 m
4 PL 30 A	0 to 7 m
5 PL 20 A	0 to 7 m
6 Diamond Grade (20 cm x 20 cm)	0 to 7 m
7 C 110	0 to 10 m



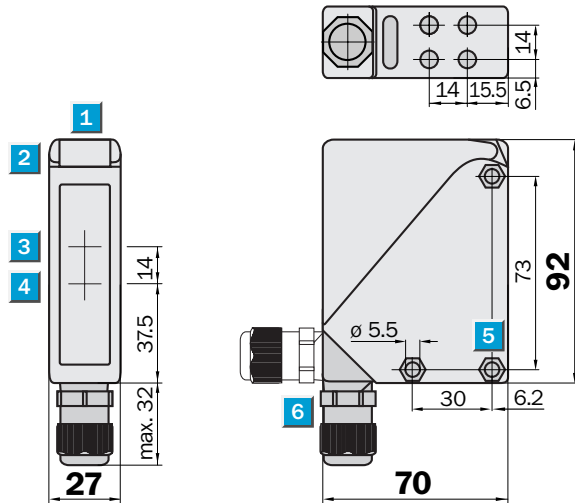
Order information

Type	Order no.
WL 34-V 230	1 019 243
WL 34-V 240	1 019 244
WL 34-B 430	1 019 245
WL 34-B 440	1 019 246
WL 34-V 530	1 019 247
WL 34-V 540	1 019 248

	Scanning range
	22 m
Photoelectric Reflex Switch	

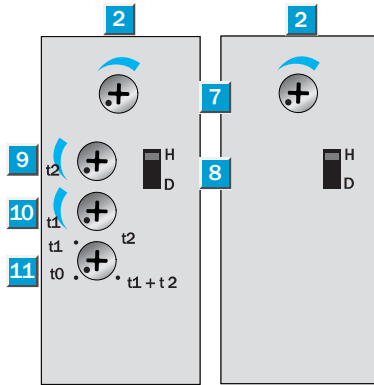
- Sturdy plastic housing
- High operating reserve in visible red light
- M 16 screw fixing rotatable by 90°
- Selectable time delay, optional

Dimension illustration



Setting options

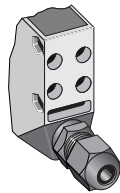
WL 34-R 240	WL 34-R 230
-------------	-------------



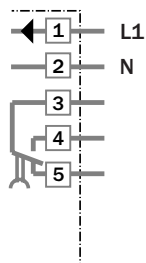
- 1 Alignment sight
- 2 Led signal strength indicator
- 3 Middle of optic axis, sender
- 4 Middle of optic axis, receiver
- 5 Mounting hole \varnothing 5.5 mm, for M 5 hexagon nuts on both sides
- 6 M 16 screw fixing rotatable by 90°
- 7 Sensitivity control
- 8 Light/dark selector
- 9 Time control t_2 = OFF-delay
- 10 Time control t_1 = ON-delay
- 11 Time delay switch

Connection type

WL 34-R 230
WL 34-R 240



M16, terminals



Accessories
Connectors
Reflectors
Mounting systems
Special accessories
Weather hoods

Technical data		WL 34-	R 230	R 240							
Scanning range, typ. max./on reflector	22 m/on PL 80 A										
Sensitivity	Adjustable										
Light source ⁴⁾, light type	LED; red light										
Light spot diameter	Approx. 250 mm at a distance of 15 m										
Supply voltage V_S	12 to 240 V DC ²⁾ , 24 to 240 V AC ³⁾										
Power consumption	< 2 VA										
Switching output	Relay SPDT isolated ⁴⁾										
Max. switching voltage	250 V AC/120 V DC										
Max. switching current	4 A/240 V AC, 4 A/100VA DC										
Max. switching capacity	1000 VA AC/100 W DC										
Response time ⁵⁾	≤ 10 ms										
Max. switching frequency ⁶⁾	10/s										
Time delay	Adjustable, 0.5 to 10 s										
Connection type	M 16 screw fixing										
VDE protection class ⁷⁾	□										
Circuit protection ⁸⁾	A, C										
Enclosure rating	IP 67										
Ambient temperature	Operation -40 °C to +60 °C Storage -40 °C to +75 °C										
Weight	Approx. 140 g										
Polarizing filter											
Housing material	ABS										

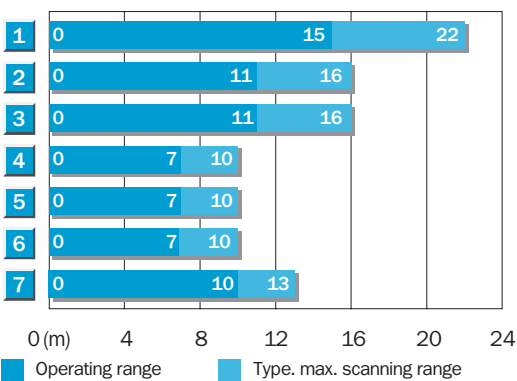
¹⁾ Average service life 100,000 h at T_A = +25 °C
²⁾ Limit values

³⁾ ± 10 %
⁴⁾ Provide suitable spark suppression for inductive or capacitive loads

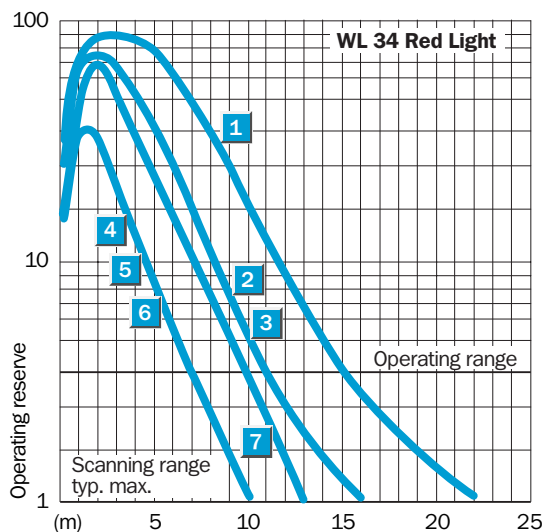
⁵⁾ Signal flight time for ohmic loads
⁶⁾ With light/dark ratio 1:1
⁷⁾ Withstand voltage 250 V UC

⁸⁾ A = V_S connections reverse-polarity protected
C = Interference pulse suppression

Scanning range and operating reserve



Reflector type	Operating range
1 PL 80 A	0 to 15 m
2 PL 50 A	0 to 11 m
3 PL 40 A	0 to 11 m
4 PL 30 A	0 to 7 m
5 PL 20 A	0 to 7 m
6 Diamond Grade (20 cm x 20 cm)	0 to 7 m
7 C 110	0 to 10 m



Order information

Type	Order no.
WL 34-R 230	1 019 249
WL 34-R 240	1 019 250