

The PNG 380 security entrance lane ensures rapid, efficient and safe dissuasive access control of pedestrians in both directions of passage.

Its particularly elaborate design makes it easily adaptable to any type of architectural environment.

All materials used have been carefully selected for their resistance, endurance and safety qualities, the fruit of Automatic Systems' engineering experience accumulated over many years.

The PNG 380 gate consists of three main elements: a central element integrating the principal functions of physical access control, and two end sections that form the walkway and integrate the access control system selected (badge reader, for example).

Precautions for use

- For security reasons, children (user smaller than 1 m tall) must be supervised by an adult at all times when in the vicinity of the unit and during passage through the lane
- A child must absolutely precede the accompanying adult when lane passage is required
- If habitual use by children is anticipated, Automatic Systems recommends the addition of all options required to optimize the level of protection.

Description

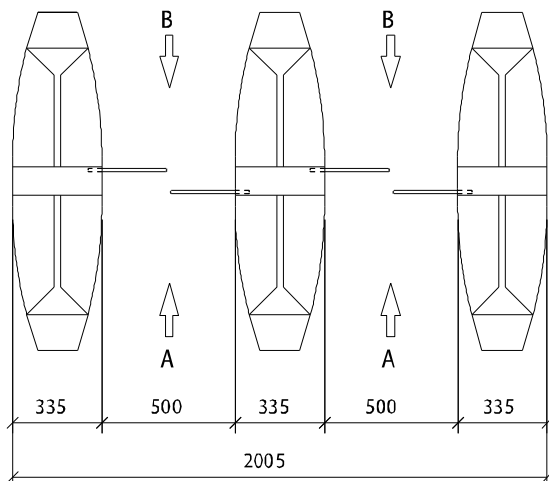
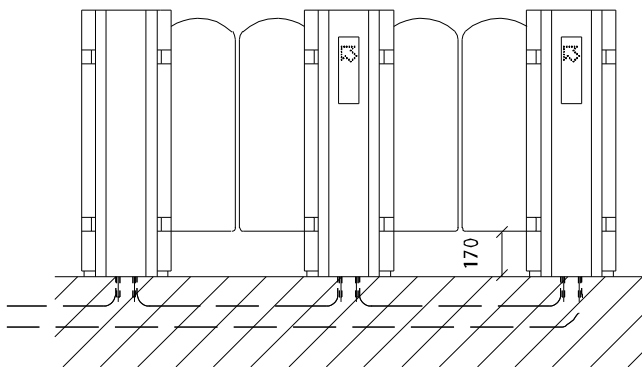
1. High-rigidity self-supporting frame: integrates an electromechanical drive for each movable obstacle, presence detection, safety sensors and electronic control units.
2. Painted steel panels: standard colour: RAL 5018, Turquoise blue. Other colours optional. These hinged panels can be opened to an angle of 90° to allow easy access to the electromechanical drive and to the electronic control units. Each of these panels is closed by two security locks.
3. Front and rear end sections: made of AISI 304L stainless steel sheet, brushed finish. These end sections integrate the users' passage control system (badge reader, ticket scanner, etc.) in one or both directions.
4. Retractable glass obstacles: 12 mm thick, clear safety glass sliding into the housing for each opening movement. Standard height from floor: 1000 mm.
5. Security sensors: ensure users' control and directional detection.
6. Safety sensor: ensures safety of passage between the movable obstacles.
7. Motor and control: the electronic unit that controls the PNG includes:
 - a general connection block
 - 24 V DC power supply
 - a programmable logic controller
 - a variable speed controller
 Motorisation is achieved by an asynchronous motor via a variable speed controller that controls torque and speed of the motor. This system ensures rapid movements with progressive acceleration and deceleration at the end of the movement. An anti-panic opening device is provided to open the obstacles automatically in case of power failure.
8. Orientation pictogram in both passage directions.

Similar equipment compliant with the UL requirements can be offered.

Standard technical characteristics

- Electrical power supply: 230V single-phase, 50/60 Hz.
(do not connect to a floating network or to high impedance earthed industrial distribution network)
- Geared motor: 0.12kW.
- Torque limiter: electronic.
- Speed reduction gearbox: reversible type, life-lubricated.
- Speed adjustment: achieved through electronic variable speed controller.
- Nominal power consumption: 250W per walkway.
in peak = 9 amperes
- Ambient operating temperature: 0° to + 50°C.
- Net weight: outer gate (L or R): 150kg.
intermediate gate: 190kg.
- Opening time: 0,3 s (out of action time of the reader).
- Closing time 0,5 s (ex works adjustment),
other speeds programmable:
0,75, 0,9 and 1.0 s
(out of action time of the reader), see factory.
- MCBF (Mean Cycles Between Failures), when respecting recommended maintenance: 2,500,000 cycles.
- This equipment is IP40.
- EC compliant.

Standard dimensions (mm)



Anti-corrosion treatment

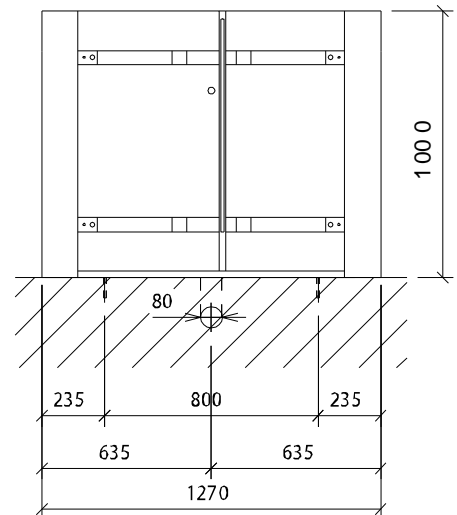
All mechanical parts are treated against corrosion by electrozinc.

Options

- 120V - 60Hz - single phase version.
- Various possibilities for integration of an access control system (ticket scanner, badge reader, coin acceptor...).
- Function pictogram.
- Protective silicone strip on the obstacles' edge.
- Mobile leaf height: 1200, 1700 or 1900 mm and fixed leaf with equivalent height.
- Other RAL colour for panels (reference number to be supplied with order).
- Stainless steel panels.
- Heating system for ambient temperatures down to -20°C.
- Sand-blasted logo on retractable/fixed glass leaves.
- Adhesive logo.
- Protection cells on fixed glass leaves.
- Enhanced protection cells for A and/or B direction.
- Trolley protection cells for A and/or B direction.

Work to be provided by the customer

- Power supply.
- Electrical power supply and connection wiring.
- Possible masonry work.



Installation principle

An access walkway has a left and a right gate, each consisting of a half obstacle leaf and operating simultaneously. To install a series of several access walkways, all that is needed is to place one or more intermediate units each with 2 half obstacle leaves between them and operating simultaneously with the other half obstacle leaf of the controlled access walkway.