

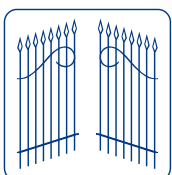


NUPI 66

Oil-hydraulic operator

For double swinging gates

Quiet, reliable, safe



FADINI[®]
the gate opener
Made in Italy





Oil-hydraulic operator for double swinging gates

NUPI 66



The **NUPI 66** gate opener is an oil-hydraulic operator for the automation of swing gates with leaves of up to 2 metres.

New design ideal for all applications

The **NUPI 66** gate opener has a linear profile with tapered ends and is ideal for combining aesthetic needs with gate motorisation requirements. Suitable for both residential and condominium installation.

Ideal for intensive use

Safe and reliable at both high and low temperatures with regular piston operation even at conditions with a temperature range of -20°C to $+80^{\circ}\text{C}$.

The presence of an innovative single motor-pump-valve body unit is a perfect example of Fadini's commitment to research and new technologies, aimed at product quality and ease of use. Full electronic control of all programme types contained in a single "ELPRO 7 RP" microprocessor (radio programmable), satisfies the most diverse requirements and makes the automation easy to install and highly reliable for the user.

Oil-hydraulic technology

The high technology achieved in the oil-hydraulic field is demonstrated by the creation of a lobe pump and innovative hydraulic circuit that guarantee regular rod travel and make the operator accident-proof.

In the event of power failures, the emergency release function is very practical and safe. The dedicated customised key (protected by a flap cover) can be used to open the lid, to make the piston fully accessible for manual gate opening.



Open cover flap



Open cover to release



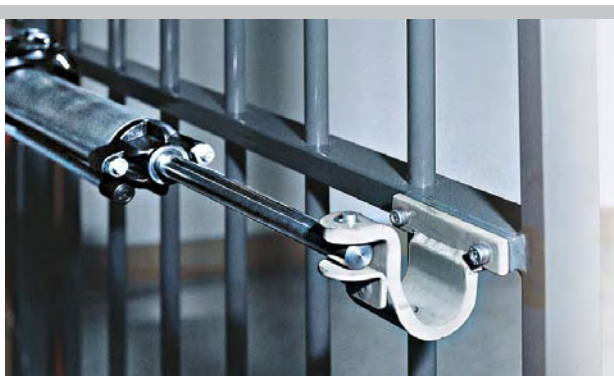
Capacitor fixed into place



Fadini's experience has led to the creation of an elegant, functional and innovative design concept, using high-performance materials processed with anti-corrosion treatments and subject to stringent factory and in-house quality control tests, to obtain a product offering the very best guarantees and reliability over time.



Front fixing
Shaft connection



Operator shaft fixed to the gate

Accessories



ELPRO 7 RP
electronic programmer



PRIT 19
keyswitch



MIRI 4-BIRIO A8
flashing light-aerial



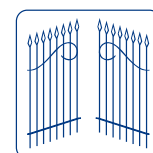
TRIFO 11
pair of photocells



ASTRO 43/1 R
plug-in radio receiver

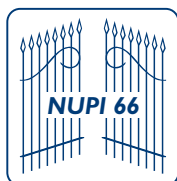


ASTRO 43/2 TR Small
2-channel transmitter



FADINI
the gate opener
Made in Italy

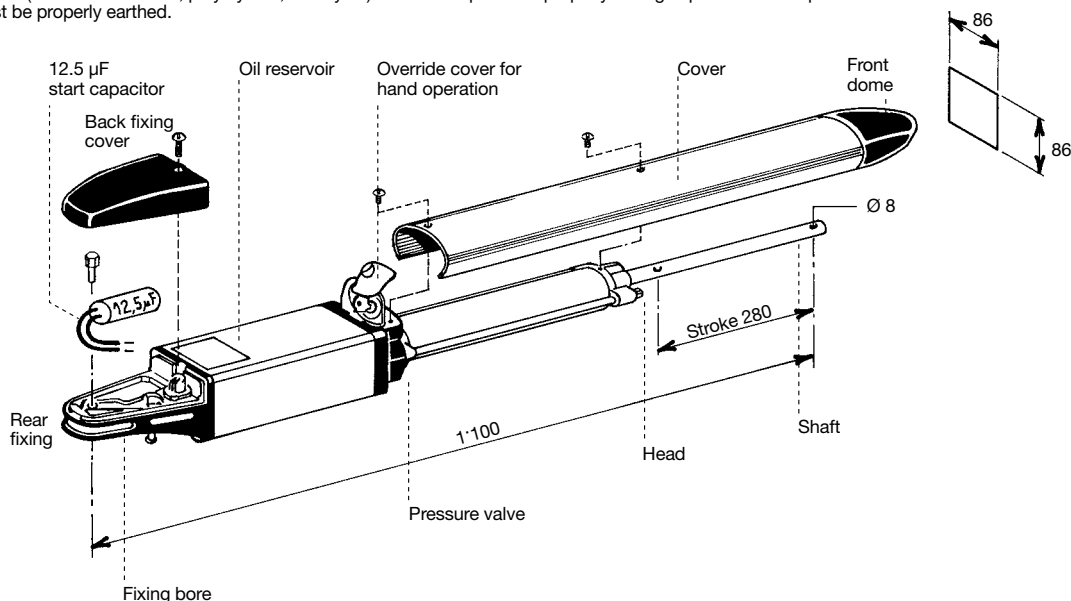
NUPI 66 Swinging gate operator



Electric Motor	
Power output	0.18 KW (0.25 HP)
Supply voltage/Frequency	230 V / 50 Hz
Absorbed power	250 W
Absorbed current	1.2 A
Motor rotation speed	1'350 rpm
Capacitor	12.5 µF
Intermittent service	S3
Flexible electric cable	CEI 20-52 - FROR 450/750 V
Class	H
Gate height and width	H 1'200 - W 1'600 mm
Static weight per gate leaf	70-100 Kg
Oil-hydraulic Operator	
Pump flow rate-P5	1.4 //min.
Working pressure	2 MPa (20 bars)
Working temperature	-20° C +80° C
Shaft travelling time	21 s
Power oil	A 15 FADINI by Agip
Piston stroke	280 mm
Piston diametre	45 mm
Shaft diametre	16 mm
Pushing power open	2'720 N
Pulling power close	3'120 N
Weight of Nupi 66 complete	8 Kg
Protection standards	IP 553
Overall dimensions (LxWxH)	1'240x86x86 mm
Duty cycle	19 sec. opening - 30 sec. stop - 21 sec. closing
Time of one complete cycle	70 s
No. of complete cycles Opening - Stop - Closing	No. 51/h
Cycles a year, 8 hours' service a day	No. 150'000

WARNINGS

- Waste oil and packing materials (such as cardboard, polystyrene, and nylon) must be disposed of properly through specialised companies.
- The electrical equipment must be properly earthed.



We recommend that installation complies with applicable regulations, the instructions enclosed and EN 12453 and EN 12445 safety standards in observance of essential EC requisites

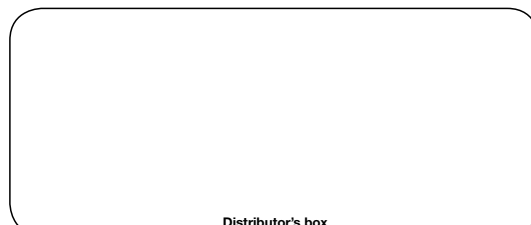


2003/108/CE Directive for waste electrical and electronic equipments
DISPOSE OF PROPERLY
ENVIRONMENT-NOXIOUS MATERIALS



AUTOMATIC GATE MANUFACTURERS

Via Mantova, 177/A - 37053 Cerea (Verona) Italy
Tel. +39 0442 330422 r.a. - Fax +39 0442 331054
e-mail: info@fadini.net - www.fadini.net



Distributor's box

The manufacturers reserve the right to change the products without any previous notice.